



## TS-C 10-300/T-EN54

- acabado en aluminio
- resistente a la intemperie
- BS 5839



EN 54-24:2008  
**Ref. Nr.:** 006-13  
**ID-Code:** SAA-LS06  
1438/CPD/0315

ic audio GmbH, Boehringerstraße 14a,  
D-68307 Mannheim, Germany

CE-Symbol gemäß Richtlinie 93/68EWG

The 10W powered speaker is equipped with two 77mm full-range loudspeaker chassis and a 100V transformer with 4 power adjustments. The powder coated and shock-resistant aluminium housing in RAL 9006 guarantees long-term stability. For additional reliability, a 2 pin-ceramic block, a thermal fuse is provided and the speaker chassis is impregnated against wetness. Furthermore sturdy cable glands PG9 are also provided.

The speaker is also secured with the high protection class IP 66 against the security risks of environmental influences.

The speaker is compliant with the British Standard BS 5839, Part 8.

The easy mounting with the included swivel bracket provides much flexibility for the installation. Special paint of the speaker in 4-digit RAL- or NCS-colour available at extra cost.

Diagramas Polares

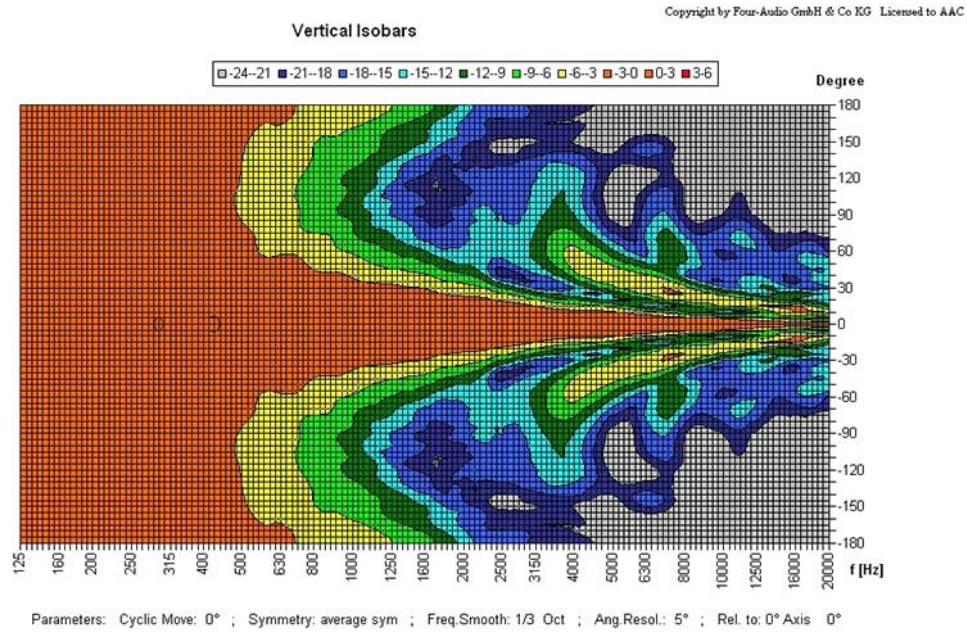
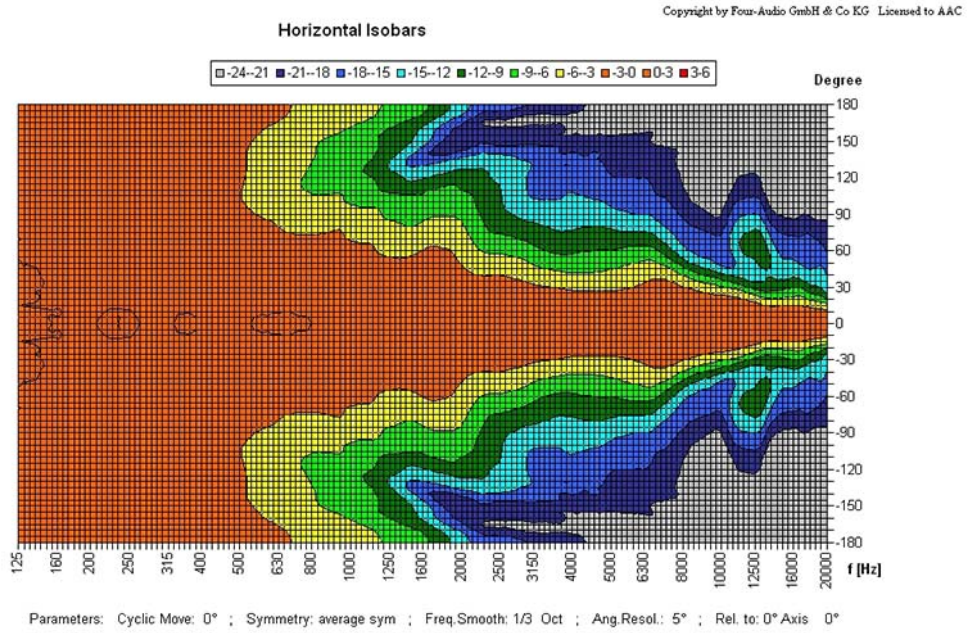
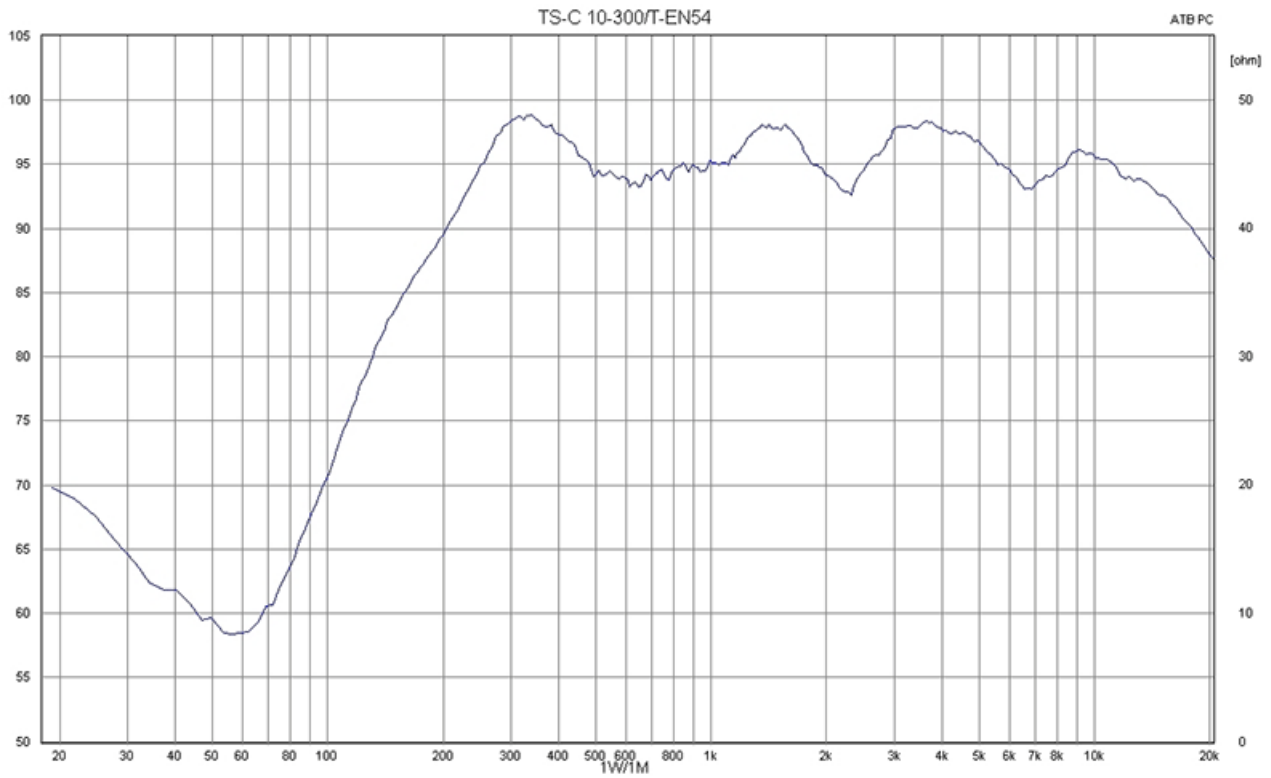
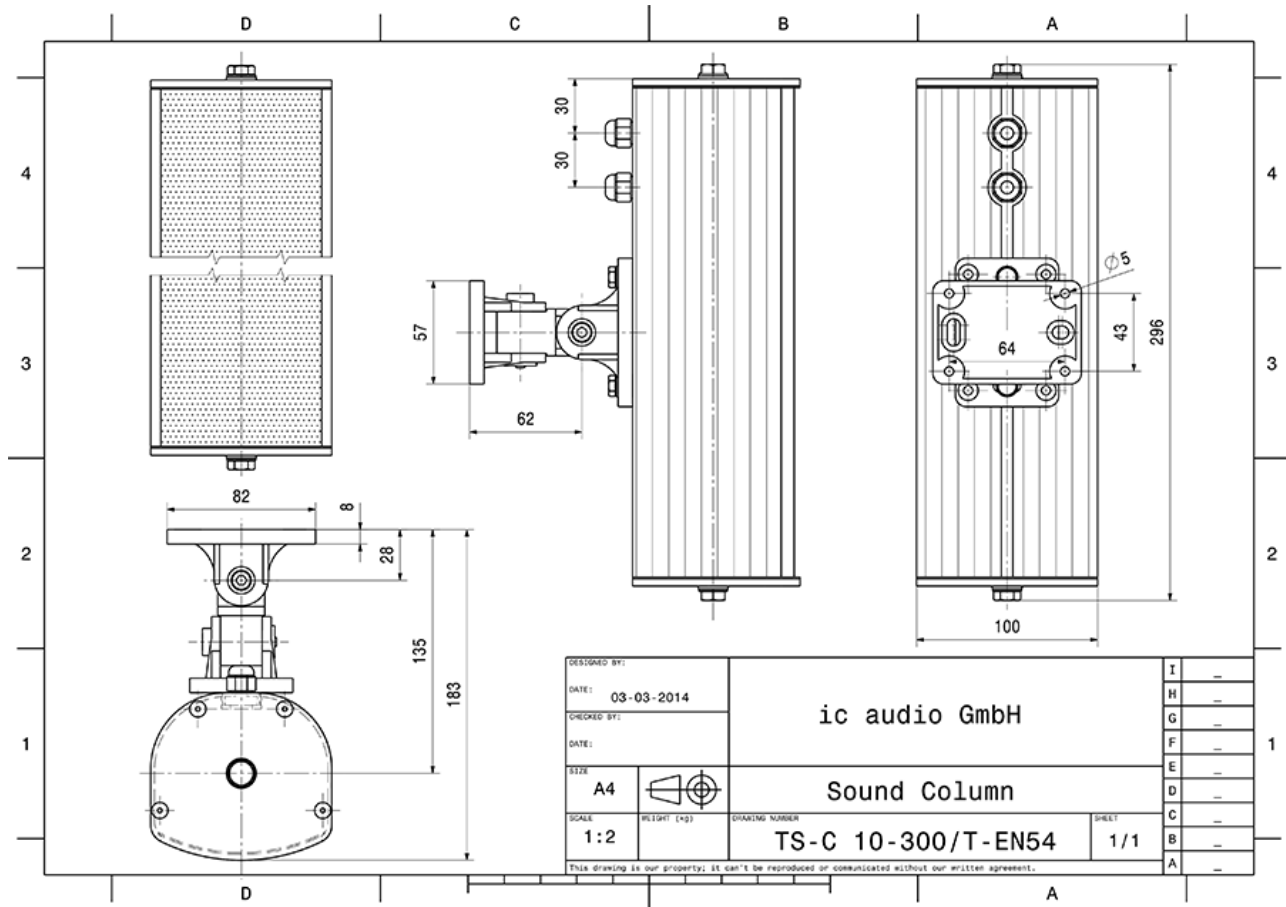


Diagrama de Respuesta en Frecuencia



## Dimensiones



**Datos Técnicos (Eléctricos)**

Descripción	T	T E
Potencia		
Condiciones de operación		
Resistencia en caliente		
E		
E		
Resistencia		
Resistencia E		
Resistencia		
Resistencia		
Resistencia		

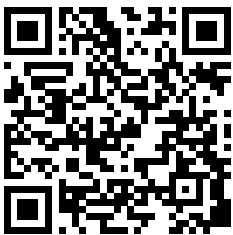
**Datos Técnicos (Mecánicos)**

Dimensiones		
Peso (neto)		
Condiciones de temperatura		
Montaje		Rotatorio
Conector		Terminal cerámico de 4 pines
Resistencia máxima del cable		: mm
Resistencia máxima del cable para el loop		4x4mm
Color		TCN ;228

Atributos del Producto



Medidas según DIN IEC 268-5 | RoHS compliant (2002/95/EG)



**Article Nr.:** 20122601

**Packing Unit:** 1

