

PC-658R

CEILING MOUNT SPEAKER

The PC-658R is a ceiling mount speaker with a resin panel and speaker frame. It features a spring clamp mechanism for easy speaker mounting to the ceiling. The input impedance can be easily changed by adjusting the tap position of the transformer.



Order no: PC-658R

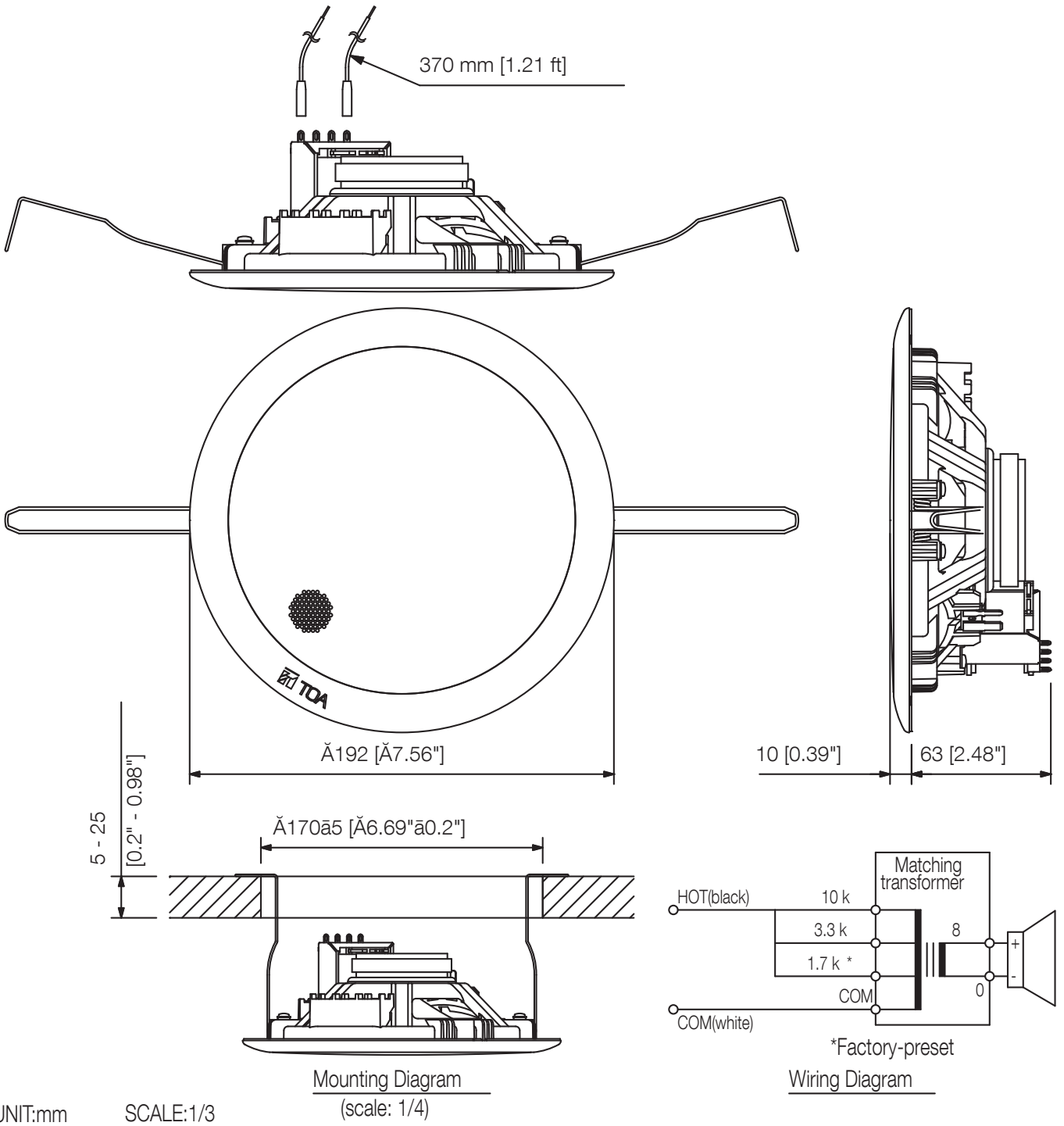
Specifications

Frequency response	65 Hz - 18 kHz
Sensitivity (1#W, 1#m)	90 dB
Speaker component	16 cm cone-type
Rated input (High Impedance)	6 W, 3 W
Tappings	6 / 3 / 1 W (100 V), 3 / 1.5 / 0.5 W (70 V)
Mounting hole	170 mm
Dimensions (W x H x D)	x 73
Dimensions (ø x D)	192 x 73 mm
Finish	Polypropylene resin, off-white (RAL 9010 or equivalent),

PC-658R

CEILING MOUNT SPEAKER

Appearance



UNIT:mm SCALE:1/3