

DESCRIPTION

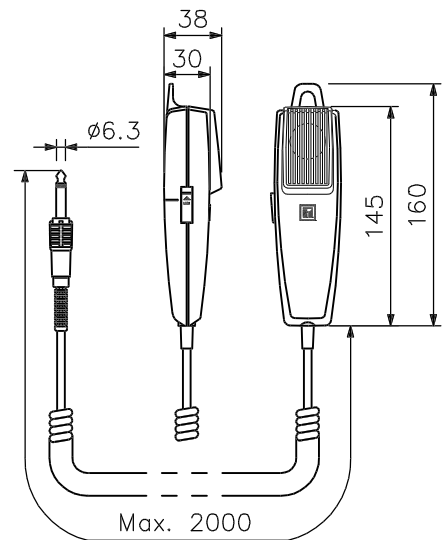
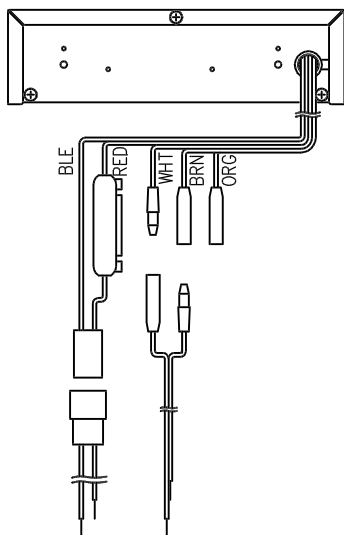
The CA-115 is a 1-DIN size unit 15 W car amplifier designed for use with a 12 V battery car.

SPECIFICATIONS

Power Source	Standard voltage: 14 V DC Usable voltage: 10 – 16 V DC (12 V battery used)
Power Consumption	3 A or less at rated output
Rated Output	15 W
Output Impedance	4 Ω (BRN), 8 Ω (ORG), Common (WHT) Changeable by changing lead wire connections
Distortion	Less than 5% (at 1,000 Hz rated output)
Frequency Response	100 – 10,000 Hz
Input	Mic1, 2: 600 Ω, 4 mV, phone jack Aux : 10 kΩ, 500 mV, phone jack
Finish	Front panel: ABS resin, black Case : Zinc plated steel sheet
Dimensions	178 (W) × 50 (H) × 132 (D) mm (Mounting device excluded)
Weight	900 g
Accessory	Microphone holder 1, Mounting bracket 1, Mounting screw 1set, Fuse (4 A) 1, Connection cord 1set
Accessory Microphone	Unidirectional dynamic type with talk switch Impedance: 600 Ω Sensitivity : -53 dB (1 kHz, 0 dB = 1 V/Pa)

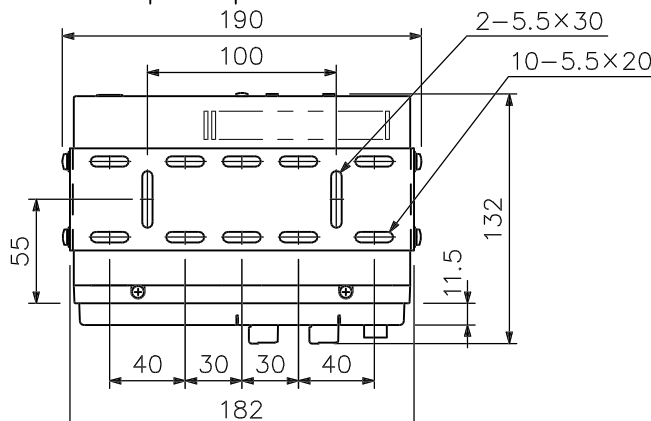
APPEARANCE

Rear View

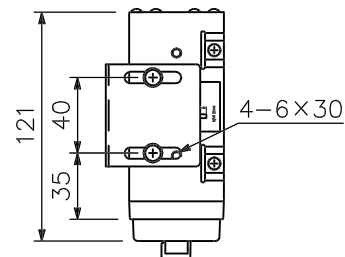
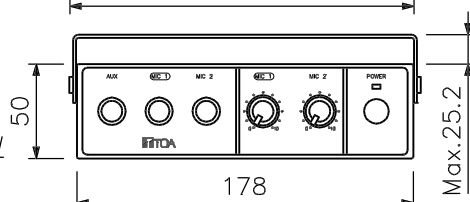


Accessory microphone (1/5)

Top View



Front View



Side View

UNIT:mm SCALE:1/4